

**SERIES 1350 1360**

**Electromagnetic door release unit in aluminum case**

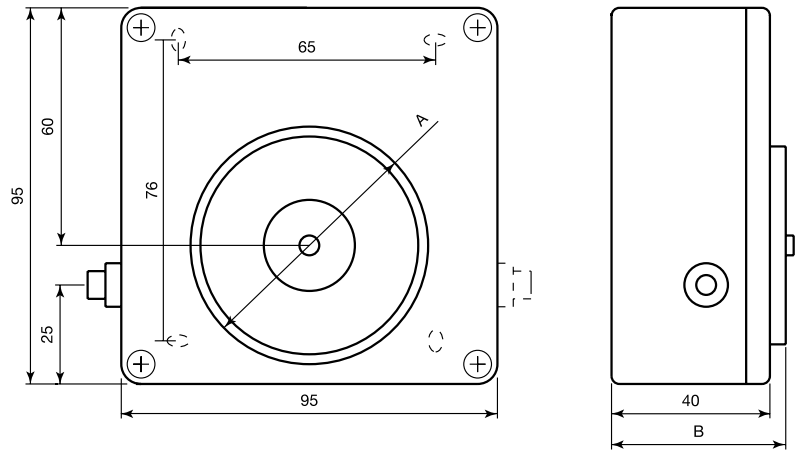
- Wall mounting
- Double holding strength, selectable by user
- Die-cast aluminum case
- Release button and protection circuit
- Provided with damping keeper plate
- Permanent version

Electromagnetic door release unit designed to hold open fire or smoke stop door, for convenience and then release automatically them response to an emergency. An attractively styled door magnet with a robust die-cast housing for general purpose use in hospitals, homes for the elderly, schools, etc where safety doors are constant use. The aluminum case with epoxy painting ensures high resistance. With diode protection system.

Version **1350** and **1360**: The holding strength can be selected through a specific internal connection. An integrated spring extractor allows to overcome any residual magnetism, ensuring a fast and reliable door release. It includes a manual release button that can be placed on both sides. Version **1367**: permanent electromagnetic door release unit that keeps doors open with no energy consumption thanks to a powerful permanent magnet integrated in the keeper plate. A 24V voltage pulse generates a magnetic field, opposite to the permanent one, that separates the two parts, allowing the door closure. All units include a flexible door mounted keeper plate.

**GENERAL SPECIFICATIONS**

Housing material	Die-cast aluminum, epoxy white painting
Cover material	Thermoplastic, black
Core material	Steel
Keeper plate material	Thermoplastic support, steel plate
Operation	Release with no power supply Version 1367: release with power supply
Connection type	Terminals
Operating temperature	-10°C to +55°C
Protection degree	IP 40
Standard equipment	Flexible keeper plate, release button, diode protection circuit
Packaging	1 pcs./package

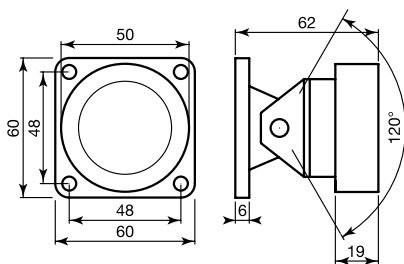


**ORDER CODES**

Code	Holding strength ± 15%	Rated voltage	Rated current	Core A diam.	Height B	Auxiliary keeper plate	Package weight	Notes
<b>1350</b>	25-50 kg/245-490 N	24 Vcc	34-65 mA	50 mm	45 mm	Code 1351	0,8 kg	
<b>1360</b>	50-100 kg/490-980 N	24 Vcc	40-100 mA	60 mm	50 mm	Code 1361	1 kg	
<b>1367</b>	25 kg/245 N	24 Vcc*	250 mA*	50 mm	45 mm	magnetic	0,95 kg	Permanent*

\* to release version 1367, a 24V DC pulse has to be applied for a longer period than 0.5 s

**Magnetic keeper plate for code 1367**



**ACCESSORIES AVAILABLE (see accessories page)**

Code	Description
<b>1353</b>	Fix keeper plate, diameter 55 mm
<b>1363</b>	Fix keeper plate, diameter 60 mm

**ELECTROMAGNETIC DOOR RELEASE UNITS**